

RELEASE: 2013D
INFORMATION TO INDEPENDENT OPERATORS

ABOUT THIS DOCUMENT	1
INSTALLATION	2
COMMUNICATION TOOL	3
NEW CAR MODELS & INFORMATION	3
START TAB	4
VEHICLE PROFILE TAB	4
INFORMATION TAB	4
WORK LIST TAB	4
DIAGNOSTICS TAB	4
SOFTWARE TAB	6
SEARCH TAB	7
ADDITIONAL INFORMATION	7

ABOUT THIS DOCUMENT

This document describes new features and information in VIDA. There are some initial notes on installing VIDA and new car models etc. The new information is divided according to the navigation tabs in VIDA. Information that does not fit in any of the above tabs is placed under the heading *ADDITIONAL INFORMATION*.

Please ensure that all VIDA users have access to VIDA Release News.

INSTALLATION

eUpdate 2013DU1

eUpdate 2013DU1 is an important part of the VIDA 2013D installation. When VIDA 2013D is installed for the first time, or if the previous installed version is not 2013C, it can take up to two hours after the registration of VIDA before 2013DU1 will be downloaded and installed. To force the installation of eUpdate 2013DU1, ensure that VIDA has been registered and then restart the computer. The eUpdate will then be downloaded and installed immediately.



Note

If you want to use more than one VIDA language, make sure you install all languages before restarting the computer. After installing eUpdates it is not possible to add another language unless you reinstall VIDA.

Installing VIDA 2013D over VIDA 2013B or earlier release

If you do not have the previous VIDA release (VIDA 2013C) installed on your PC and you install this new version, VIDA will be installed in full (as if VIDA had not previously been installed at all). In this case you have to click on the [REGISTRATION GUIDE FOR SUBSCRIPTION](#) on VIDA All-in-one's log in page and register VIDA All-in-one again. Comments in the Parts Catalogue and all types of saved lists (e.g. Download history, Latest identified vehicles and Work list information) will **not** remain.

Reinstalling VIDA 2013D

If in the future you have to reinstall VIDA 2013D please note that all eUpdates will also have to be reinstalled.

VIDA Installation time

Various installation tests are performed at Volvo Cars Customer Service and the results are presented in the table below. The installation times refer to the language with the most data, which for the VIDA 2013D release is the Russian language.

VIDA 2013D	VIDA 2013D over VIDA 2013C	VIDA 2013D over VIDA 2013B	EWD ¹
19 min	15 min	21 min	7 min

¹Electronic Wiring Diagram.

The test computer has the following specifications:

Operating System	Processor	Processor speed	RAM
Windows 7 Professional (64 bit) with Service Pack 1	Dual Core	2.7 GHz	4 GB

The computer is equipped with Microsoft Security Essentials. A different anti-virus application may cause longer installation times than those stated above.

VIDA DVD languages

VIDA is available in three sets of languages:

Multi1	Multi2	Multi3
German	English, Great Britain	English, United States
English, Great Britain	English, United States	Spanish
English, United States	Japanese	French
Spanish	Korean	Portuguese
Finnish	Russian	Swedish
French	Thai	
Italian	Chinese, Simplified	
Dutch	Chinese, Traditional	
Portuguese		
Russian		
Swedish		
Turkish		

Which DVD you will receive depends on what languages you have chosen for your VIDA subscription.

COMMUNICATION TOOL

Nothing new to report.

NEW CAR MODELS & INFORMATION

New Drive-E powertrains

The new VEP (Volvo Engine Petrol) and VED (Volvo Engine Diesel) engines are now available. A new 8-gear automatic gearbox, TG81-SC, is released together with the new engines.

VIDA is updated with complete new diagnostic information to support the new engines.

The following new Drive-E powertrains have been added:

Affected variants

Models	Engine Description	Gearbox	Model Year
S60 (11-), XC60, S80 (07-)	B4204T15	TG-81SC	2014
S60 (11-), XC60, S80 (07-)	B4204T12	TG-81SC	2014
S60 (11-), V60, XC60, V70 (08-), XC70 (08-), S80 (07-)	B4204T11	TG-81SC	2014
S60 (11-), XC60	B4204T10	TG-81SC	2014
S60 (11-), V60, XC60	B4204T9	TG-81SC	2014
S60 (11-), V60, XC60, V70 (08-), XC70 (08-), S80 (07-)	D4204T5	M66/TG-81SC	2014

START TAB

Nothing new to report.

VEHICLE PROFILE TAB

Nothing new to report.

INFORMATION TAB

Parts Catalogue

Permanently replaced part numbers have been removed and no replacement history is shown in the Parts Catalogue.

Affected variants

Models	Model Year
C30	All
V50	All
XC60	All
C70 (06-)	All

Drive-E powertrains

The new Drive-E engines (B4204T9, B4204T10, B4204T11, B4204T12, B4204T15 and D4204T5) and the new transmission TG-81SC are the first production year shown with simplified parts structure. If problems occurs the complete unit has to be replaced. Parts not possible to order are still marked with NS.

WORK LIST TAB

Nothing new to report.

DIAGNOSTICS TAB

Upgraded Sensus infotainment system

This release holds new information regarding the upgraded Sensus infotainment. The system has four different configurations:

- Performance 5-inch display
- High Performance 5-inch display
- Connected Infotainment High Performance 7-inch display
- Connected Infotainment Premium Sound 7-inch display.

Infotainment Control Module (ICM) is the control unit for 5-inch configurations and Infotainment Head Unit (IHU) is the control unit for 7-inch configurations. **Note!** some markets still have the Infotainment Control Module (ICM) for 7-inch configurations.

Another way to identify cars with Connected Infotainment is that they have an internet connection switch in the center console.



Fig. 1 Internet connection switch

The picture, describing network topology of the car, has been updated with the ICM/IHU.

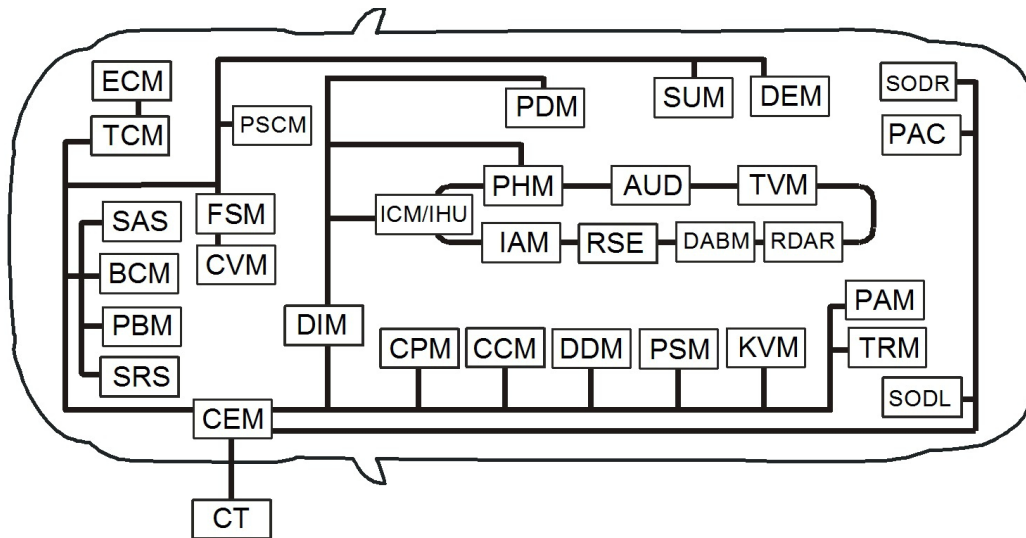


Fig. 2 Network topology

Infotainment Head Unit (IHU) replaces both Infotainment Control Module (ICM) and Infotainment Audio Control Module (IAM). Infotainment Head Unit (IHU) shares the same physical location as Infotainment Audio Control Module (IAM) and uses a display which is mounted at same location in center console as Infotainment Control Module (ICM).

A digital version of the owner's manual is preloaded into the IHU. When replacing Infotainment Head Unit (IHU) it is important to ensure that the **correct** manual is installed. Please follow replacement procedures as well as instructions after software download. For additional info see *chapter Owner's manual for installation in car on page 7*.

Cars with Infotainment Head Unit (IHU) are communicating with Phone control Module (PHM) via USB connection, not via the MOST network.

Software is downloaded into the Infotainment Head Unit (IHU) via a Volvo approved USB memory. It is not possible to perform software download to IHU via the CAN network.

Affected variants

Models	Model Year
S60 (11-)	2014 (w1346-)
V60	2014 (w1346-)
XC60	2014 (w1346-)

New parking camera system

As from w1346 the S60 (11-), V60 and XC60 will get the V40 parking camera system. Main change is that Parking Assistance Camera (PAC) will be connected to extended CAN (X-CAN) network.

Affected variants

Models	Model Year
S60 (11-)	2014 (w1346-)
V60	2014 (w1346-)
XC60	2014 (w1346-)

Checking the parking camera system

A new symptom related diagnostic procedure has been created to address problems with no picture from Parking Assistance Camera (PAC).

The procedure can be found via the following CSC:

2X – Park assist camera - Does not work

Affected variants

Models	Model Year
V40 (13-)	2014
V40 Cross Country	2014
S60 (11-)	2014 (w1346-)
V60	2014 (w1346-)
XC60	2014 (w1346-)

Park Assist Pilot

From w1346 some cars may have an option of Park Assist Pilot (PAP) installed. This is possible due to a new ten channel Parking Assistance Module (PAM). Diagnostics information is provided to handle issues related to this new function.

Affected variants

Models	Model Year
S60 (11-)	2014 (w1346-)
V60	2014 (w1346-)

Technical Journals

Nothing new to report.

SOFTWARE TAB

Nothing new to report.

SEARCH TAB

Nothing new to report.

ADDITIONAL INFORMATION

Owner's manual for installation in car

A DVD containing the owner's manual, for installation in car, is delivered together with the VIDA 2013D DVD.

**Note**

The DVD is delivered to affected markets only.

**Note**

It is not to be used in VIDA stations, only in the car's CD/DVD slot.

If the Infotainment Head Unit (IHU) is replaced the correct owner's manual has to be verified, and installed if needed. Go to **VIDA INFORMATION** → **REPAIR** → **Cleaning, Inspection and Adjustment** → **3 Electrical system** → **393 equipment for entertainment (radio/TV/VCR)** → **Owner's Information (IHU)** to find a method for this.

**Note**

It is important to check that the right version of owner's manual is installed since neither VIDA nor the IHU have version handling.

Instructions

Nothing new to report.